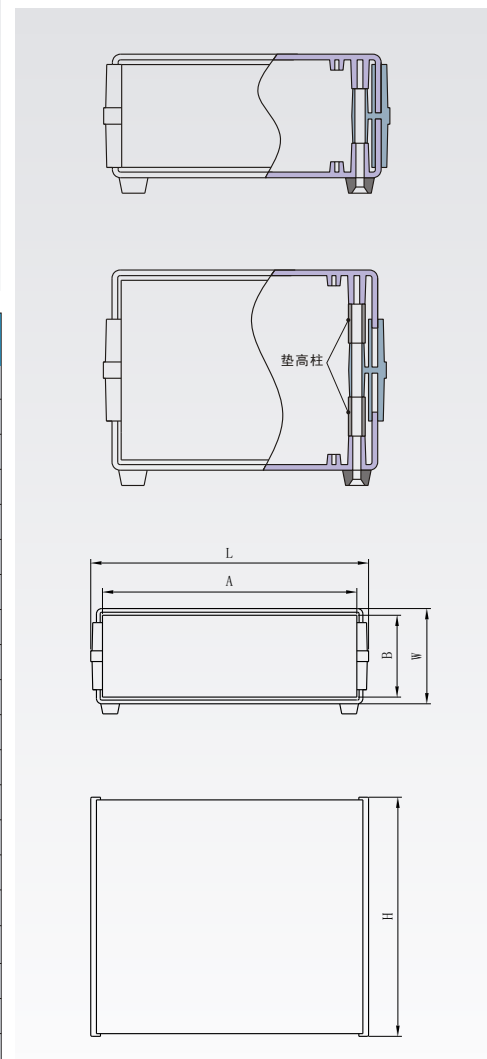
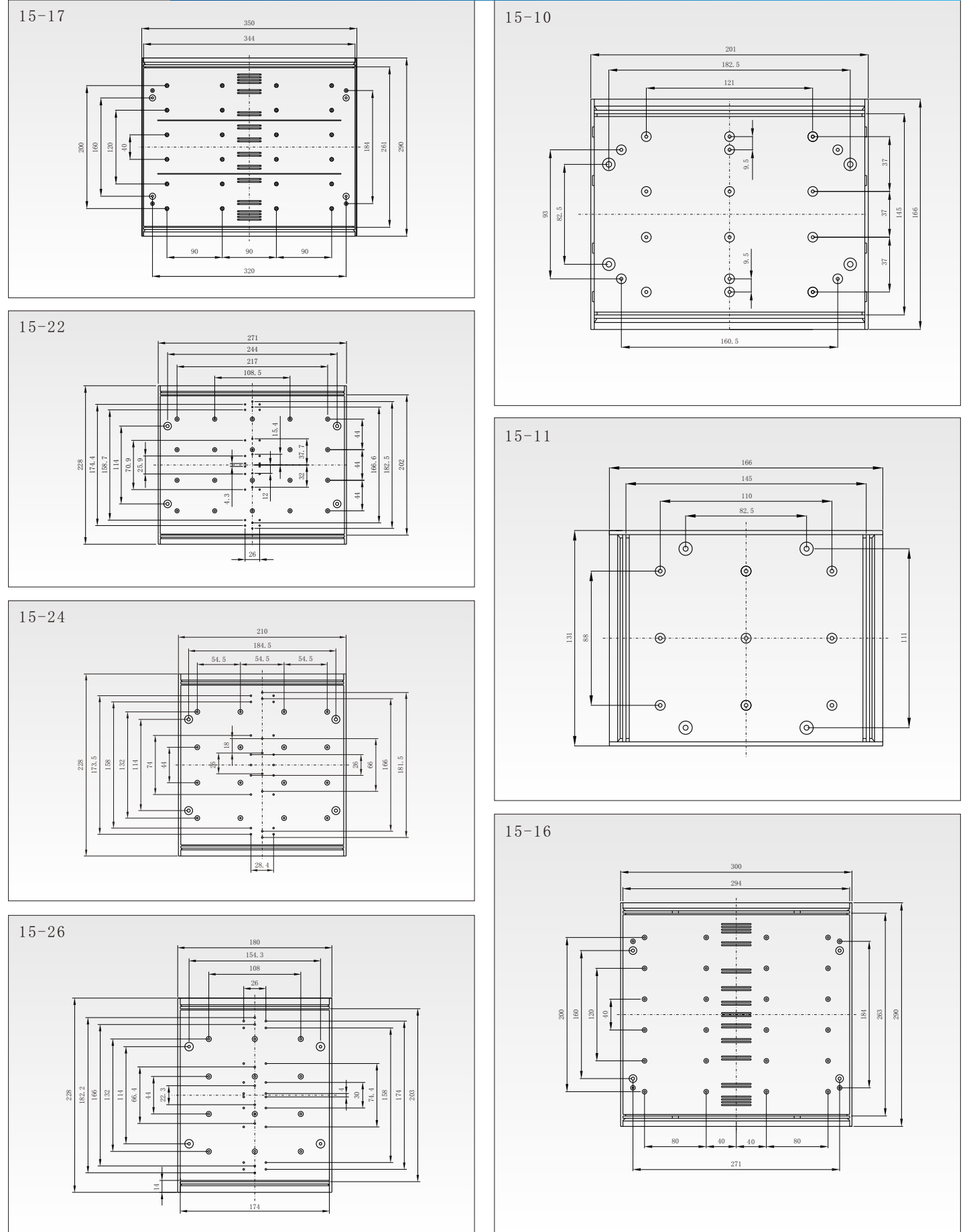




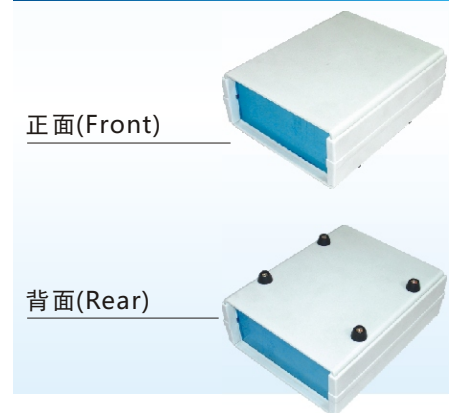
本系列为塑料机箱，材料为ABS。机箱由上下盖、侧面加高板、前后铝面板组成。箱体高度W可按需要做一定调整。
The range of plastic instrument case is made of ABS. It is consist of top& bottom panel、side height-increased panel and front& rear panel. The height W can be adjusted as per your request.



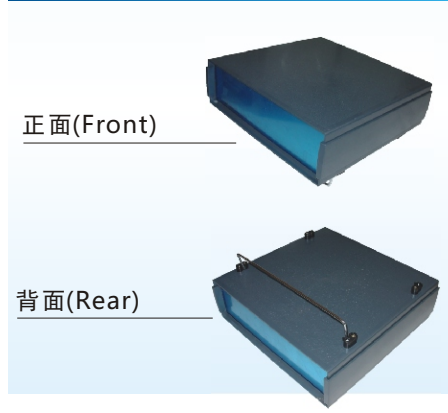
型号 CODE	L	W	H	A	B
15-10	210	110	172	193	100
15-11	140	100	172	121	91
15-16	308	90	297	287.6	75.1
15-16A	308	97	297	287.6	81.6
15-16B	308	124	297	287.6	108.6
15-17	356	92.5	297	337.6	75.2
15-17A	356	99.5	297	337.6	81.6
15-17B	356	156	297	337.6	107.6
15-22	280	56	235	257.6	44.4
15-22A	280	75.5	235	257.6	64.2
15-22B	280	82	235	257.6	71.2
15-22C	280	102	235	257.6	90.2
15-24	220	55	235	197	45.4
15-24A	220	75	235	197	63.6
15-24B	220	82	235	197	72.2
15-24C	220	101	235	197	90.2
15-26	190	56.5	235	168.2	45.6
15-26A	190	74	235	168.2	64.2
15-26B	190	82	235	168.2	71.2
15-26C	190	102	235	168.2	91



15-10、15-11



15-16、15-17



15-22、15-24、15-26

