

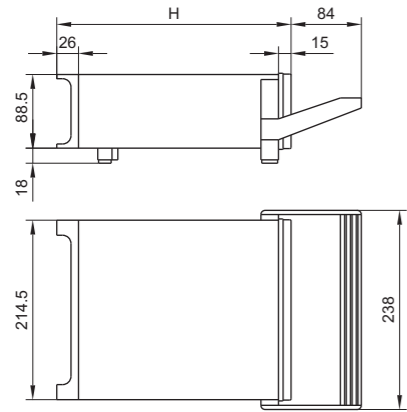
型号CODE:16-1



本系列机箱箱体为铁板，前后框及提手为ABS塑料，箱体深度尺寸现有280、360mm两种，也可定制其他尺寸。可选配多种面框。机箱颜色可任意定制。

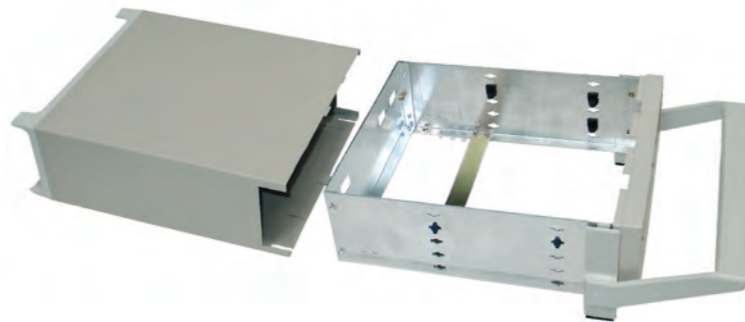
This cabinet series consists of iron body, front & rear bezel and ABS plastic handle. Now we have depth of 280、360mm. The dimension and color can be customized. Various of bezels are available.

深度H可定制，现有250、280、360mm等。

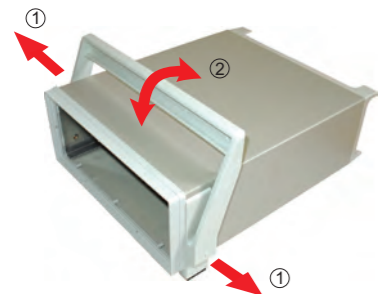


Depth (H) can be customized, Now we have 250, 280, 360mm and so on.

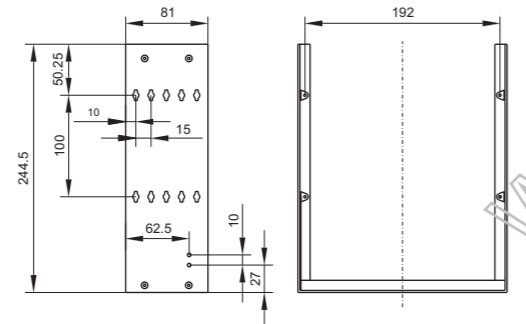
装配图(Assembly drawing)



把手示意图(Handle)



内部固定架(Inner fixing bracket)



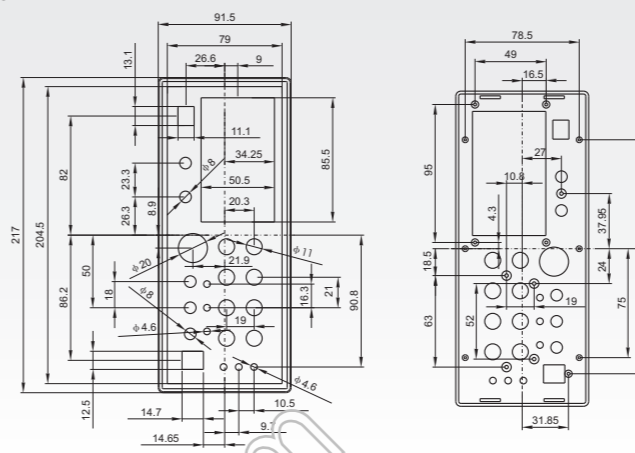
PCB 定配件(Fixing part for PCB)



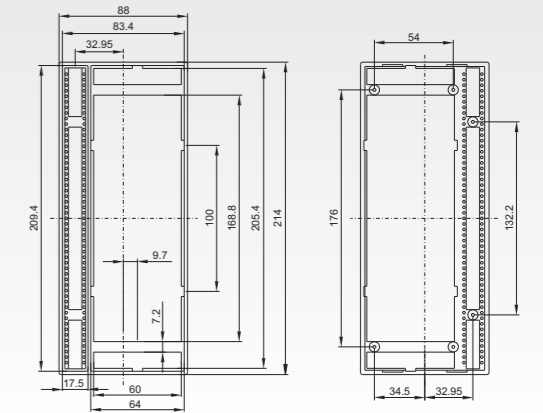
各种选配面框(Optional panels)



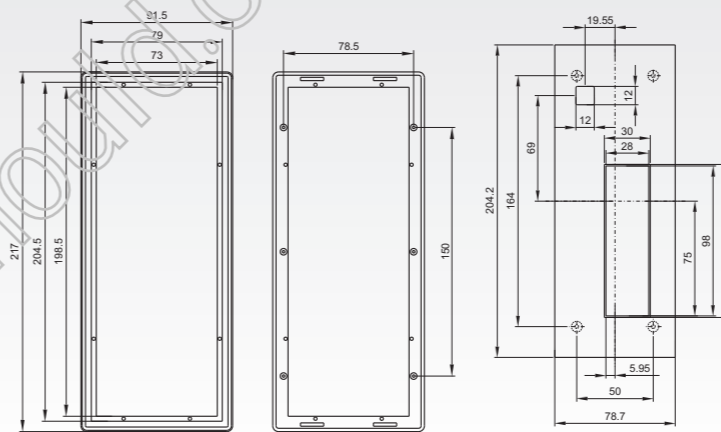
1125-2A



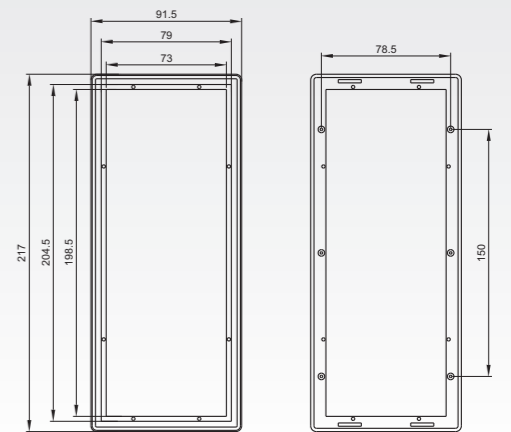
1125-1



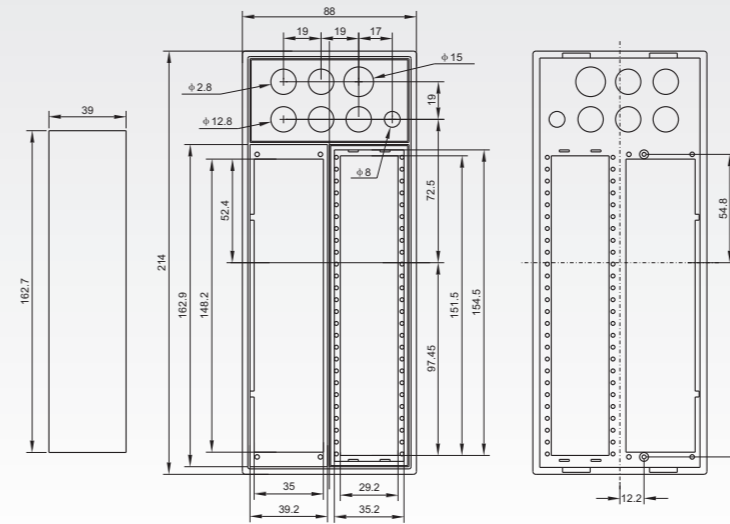
1125-3



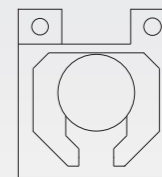
1125-2



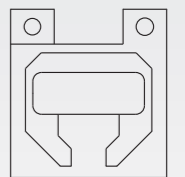
2188



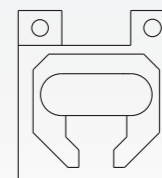
2188-5A



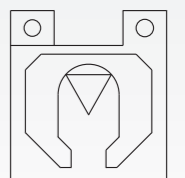
2188-5B



2188-5C



2188-5D



四种按键可任意拼装组合  
(4 kinds of keypad are available)

