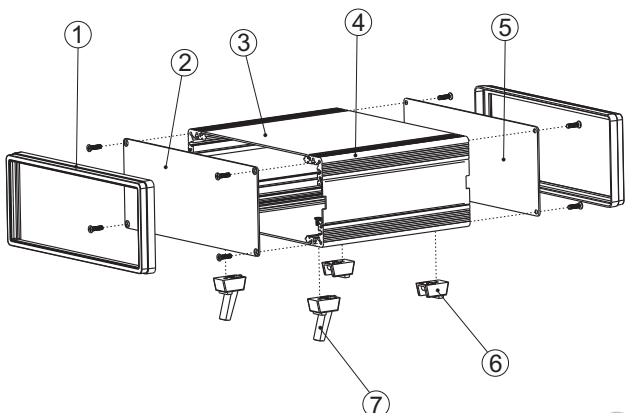


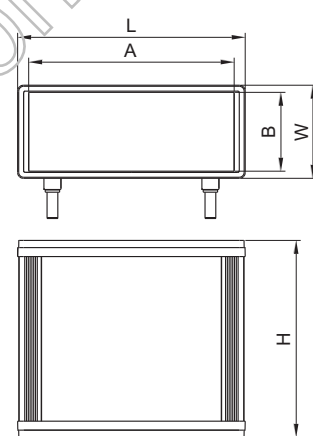


本类机箱通过型材横梁与铝板拼装而成，箱体长宽尺寸由塑料面框决定，箱体深度可任意定制。本司现有两种尺寸面框，如需其它尺寸可定制，机箱颜色可按要求定制。

This kind enclosure consists of cross beam and aluminum panels. The dimension of the enclosure depends on plastic bezel. The depth of enclosure can be customized. Now we have 2 types of bezels. The dimension of the bezel can also be customized as per your request.



序号 CODE	零件名称 NAME OF PARTS	数量 QUANTITY
1	塑料面框 Plastic bezel	2
2	铝面板 Aluminum panel	2
3	铝盖板 Aluminum top cover	2
4	铝型材 Aluminum extruder	4
5	铝侧板 Aluminum side panel	2
6	塑料脚底 Aluminum feet	4套(Sets)
7	塑料撑脚 Aluminum supporting feet	2



型号CODE	L × W	A × B
17-82	254 × 104	230 × 88
17-83	174 × 104	150 × 88
备注REMARK	<p>1. 窗口尺寸是指面板上可开孔的区域； 2. 颜色也可定制，请提供色板； 3. 深度H可按客户要求；</p> <p>1. The dimension of window means the area where can be added holes on the panel.</p> <p>2. Color can be customized. Pls offer us the color code or samples.</p> <p>3. Depth H can be customized as per customers' requests</p>	

