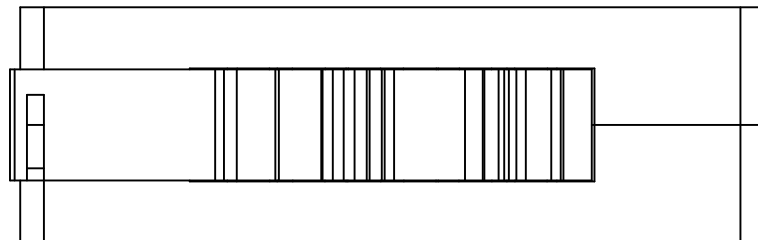
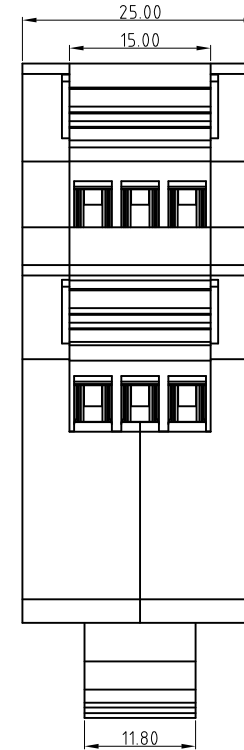
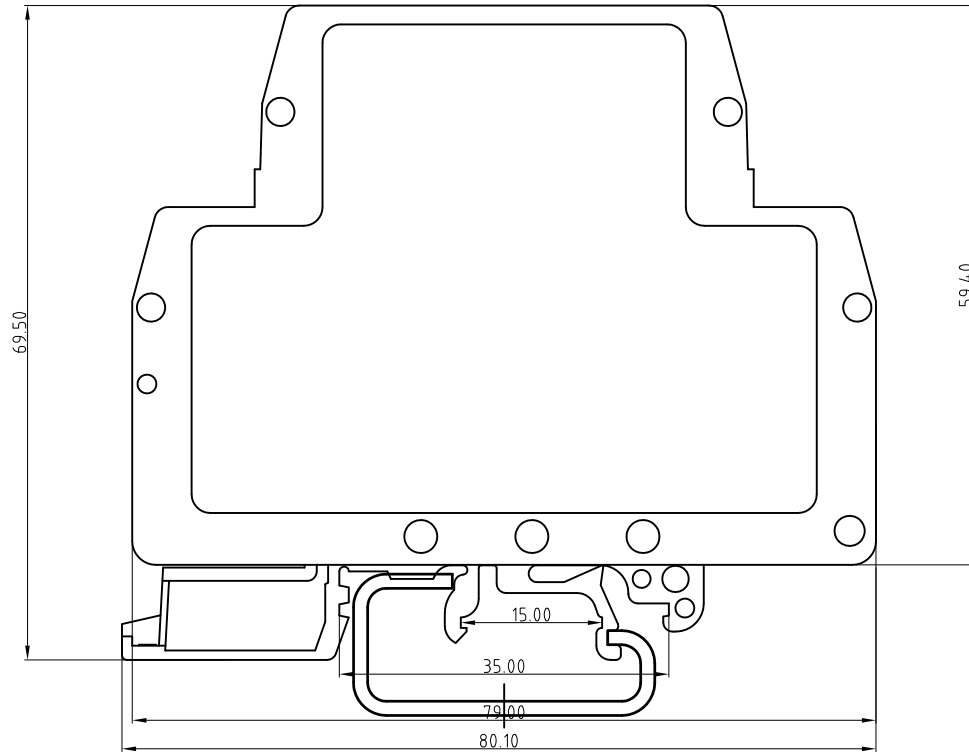
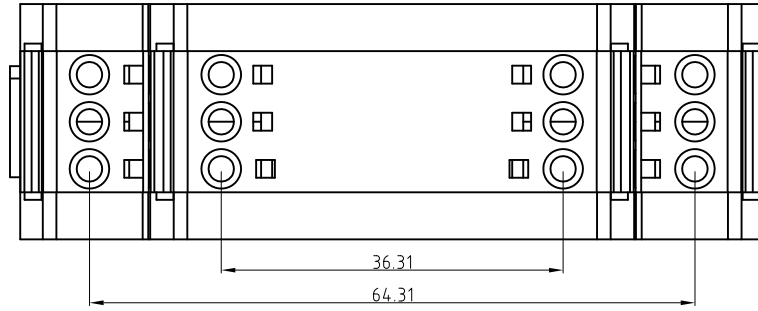


REVISION RECORD				
REV	ECO	DESCRIPTION	DRFT	CHKD



DETACHED LISTS	MM (INCH)		DFTO JOE.ZHONG	DATE 05/04/05'	宁波三和壳体公司端子部	
	TOLERANCES EXCEPT AS NOTED		CHKD	DATE		
	MM		MFO	DATE	TITLE SH802-25装配图	
	.0 ± 0.10	±	APPVL	DATE		
.00 ± 0.05	±	MATERIAL : PA66		DRAWING NO. SH802-25-00		
.000 ± 0.01	±	QT'Y :		/PART NO. 00		
ANGLES ± 5°		FINISH :		SIZE A3	REV REV2	
THIRD ANGLE PROJECTION		SCALE : 1:1		DO NOT SCALE DRAWING		
				SHEET X	OF Y	