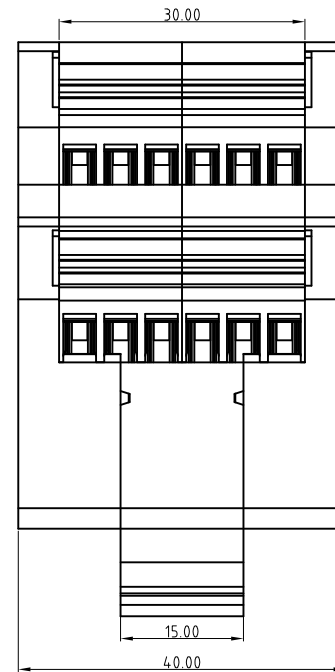
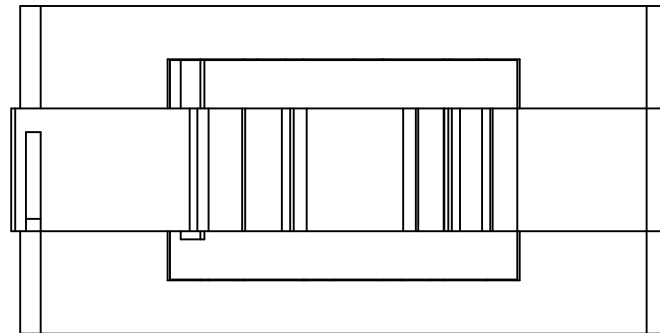
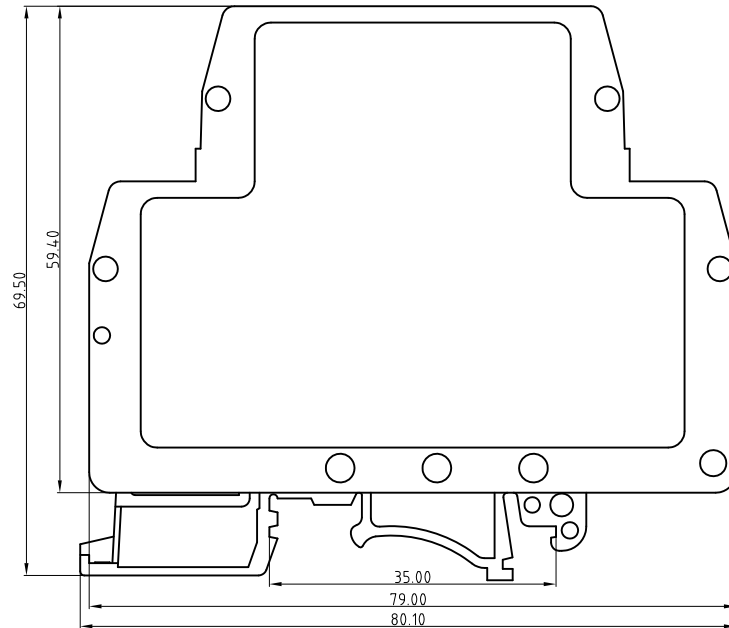
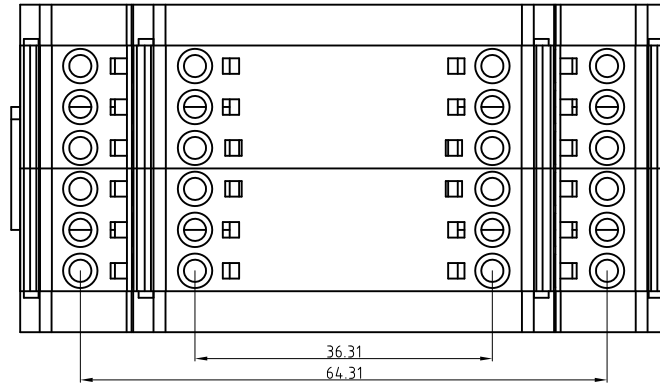


REVISION RECORD				
REV	ECO	DESCRIPTION	DRFT	CHKD



DETACHED LISTS	MM (INCH)		DFTO JOE.ZHONG	DATE 05/04/05'	宁波三和壳体公司端子部		
	TOLERANCES EXCEPT AS NOTED		CHKD	DATE			
	MM		MFO	DATE	TITLE SH802-40装配图		
	.0 ± 0.10	±	APPVL	DATE			
	.00 ± 0.05	±	MATERIAL : PA66		DRAWING NO. SH802-40-00	SIZE A3	REV
.000 ± 0.01	±	QT'Y :		/PART NO. 00	REV	REV	
ANGLES ± 5°		FINISH :		DO NOT SCALE DRAWING		SHEET X	OF Y
 THIRD ANGLE PROJECTION		SCALE : 1:1					